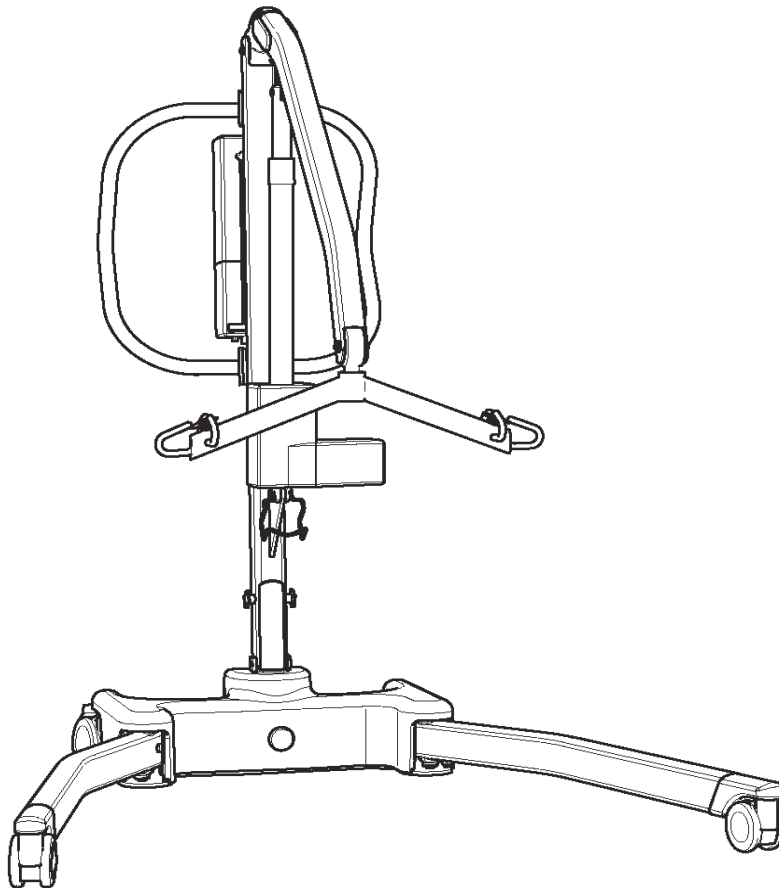
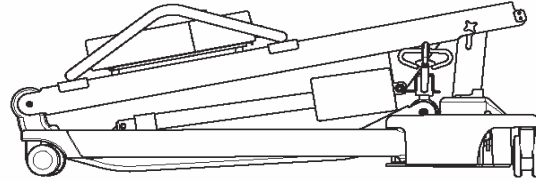


# OXFORD / HOYER ADVANCE PARTS MANUAL

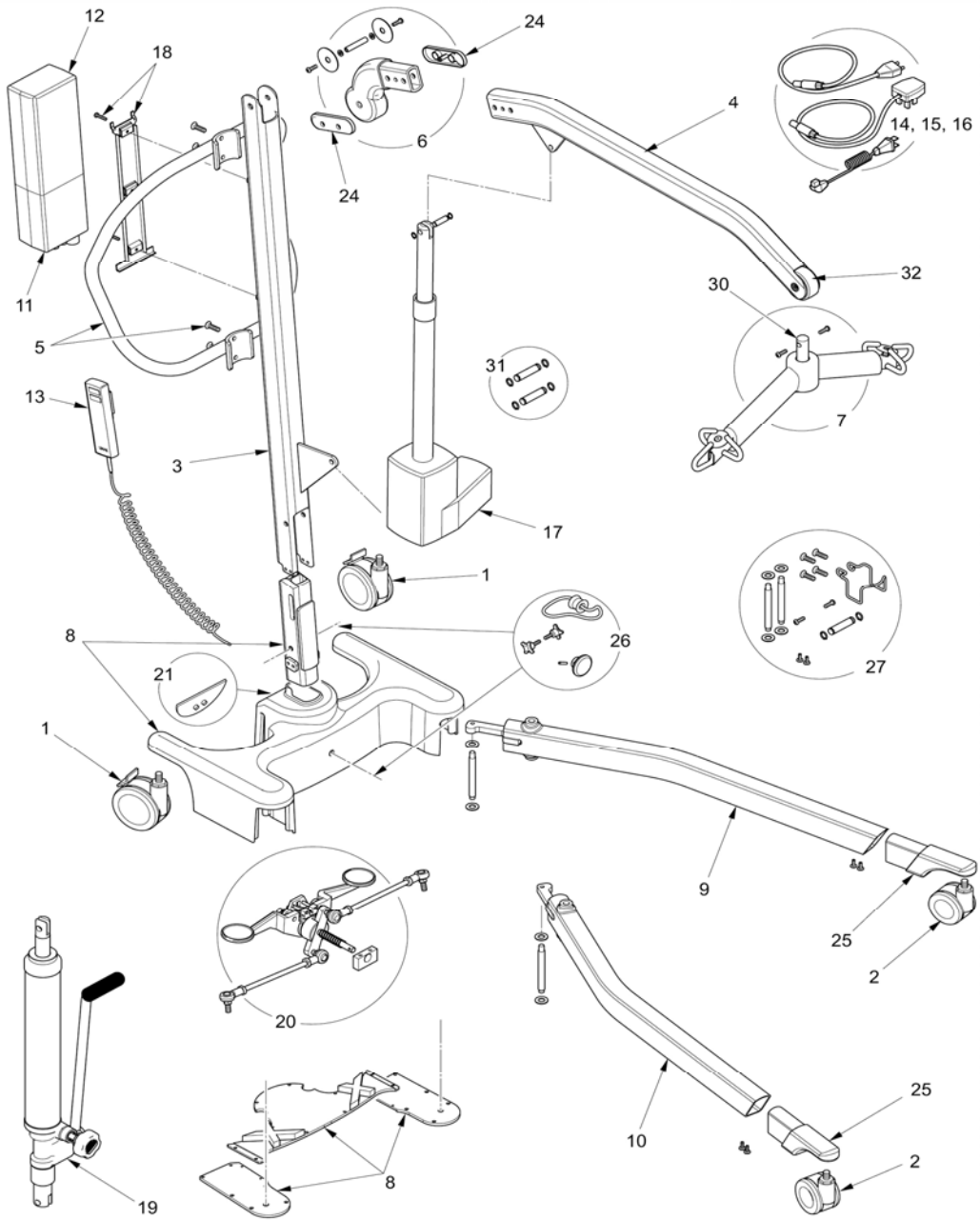


**Joerns Healthcare Limited**  
High Street, Wollaston, West Midlands, DY8 4PS  
Tel: +44 (0)1384 44 66 22  
Fax: +44 (0)1384 44 66 01  
info@joerns.co.uk  
www.joerns.co.uk

**Joerns Healthcare Inc**  
5001 Joerns Drive, Stevens Point  
Wisconsin, 54481-5040  
Tel: (715) 341 3600  
(800) 826 0270 (Toll Free)  
www.joerns.com

Rev. D

# OXFORD / HOYER ADVANCE



038A234

## OXFORD / HOYER ADVANCE

N°	PART NUMBER	DESCRIPTION	QTY
1	0Y0066	100mm rear castor (braked)	2
2	0Y0109	75mm front castor (non-braked)	2
3	0Y0033	Mast extrusion including labels	1
4	0Y0034	Boom extrusion (inc. boom end caps and labels except for Oxford/Hoyer dome label)	1
5	0Y0035	Push handle assembly (including fixings)	1
6	0Y0036	Casted boom to mast pivot joint (including connection bolts/fixings/spacers)	1
7	0Y0037	Spreader bar assembly complete (6 point)	1
8	0Y0038	Base assembly (inc. base casting, bottom plate, welded post & labels, not internal parts)	1
9	0Y0039	Left leg extrusion (including fixings)	1
10	0Y0040	Right leg extrusion (including fixings)	1
11	0Y0110	Linak controller (UK/EU)	1
11	0Y0106	Linak controller (US)	1
12	0Y0067	Linak battery	1
13	0Y0111	Linak hand control (UK/EU)	1
13	0Y0107	Linak hand control (US)	1
14	0Y0071	Linak charge lead (UK)	1
15	0Y0068	Linak charge lead (US)	1
16	0Y0072	Linak charge lead (EU)	1
17	0Y0031	Linak actuator - 350mm stroke (inc. location pins, sleeves, washers, circlips and labels)	1
18	0Y0069	Linak battery and controller brackets/fixings	1
19	0Y0032	Hydraulic pump - 350mm stroke (US only) (including labels & serial number)	1
20	0Y0041	Foot pedal mechanism complete	1
21	0Y0042	Foot push pad assembly complete	2
22	0Y0043	Decal set (Oxford) not shown - no serial number labels	1
23	0Y0044	Decal set (Hoyer) not shown - no serial number labels	1
24	0Y0108	Boom to mast pivot plastic caps	2
25	0Y0045	Front castor leg inserts including fixings (plastic)	2
26	0Y0046	Knob kit (including mast tightening knob, elastic leg restraint and leg disengage handle)	1
27	0Y0047	Fixings kit (all bolts, screws and fixings)	1
28	0Y0070	Handset clip (not shown)	2
29	0Y0053	Linak charger and stand assembly (temporary requirement for Oxford)	1
30	0Y0379	Hook shaft washer and o-ring spares kit	1
31	0Y0149	Pin retaining and circlip set (not shown)	1
32	0Y0729	Boom end plastic caps	2